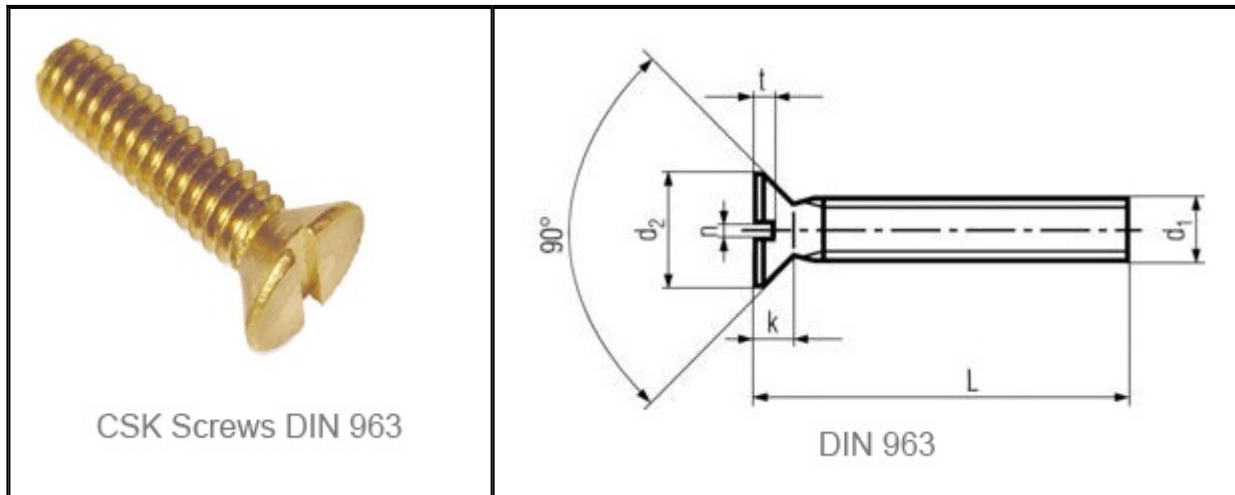


CSK Screws DIN 963

CSK Screws DIN 963



DIN 963 Brass Screws Slotted Csk screws countersunk head machine screws Slotted CSk Brass Screws Metric screws Flat head Brass Screws slotted Flat head screws Brass and Stainless Steel

Diameter d1	M2	M2.5	M3	M4	M5	M6	M8	M10
t min	0.4	0.5	0.6	0.8	1	1.2	1.6	2
n	0.5	0.6	0.8	1	1.2	1.6	2	2.5
k max	1.2	1.5	1.65	2.2	2.5	3	4	5
d2 max	3.8	4.7	5.6	7.5	9.2	11	14.5	18

ADDEESS:

Conex Brass Screws Fasteners

Plot 10 B GIDC IND Estate Jamnagar 361004 INDIA

CONTACTS:

PHONE : 91-22-43449300 / 43449327

FAX : 91-22-22834046 / 40023682

EMAIL : sales@conexscrews.com

[CONTACT US](#) | [BACK TO HOME PAGE](#)

KEYWORDS:

Brass CSK screws, Countersunk head threaded DIN 963 screws, DIN 963 slotted brass Screws, machine Screws DIn 963, metric Countersink head slotted screws, Flat head Brass Screws, manufacturers Flat head slotted Screws, Stainless Steel CSk screws