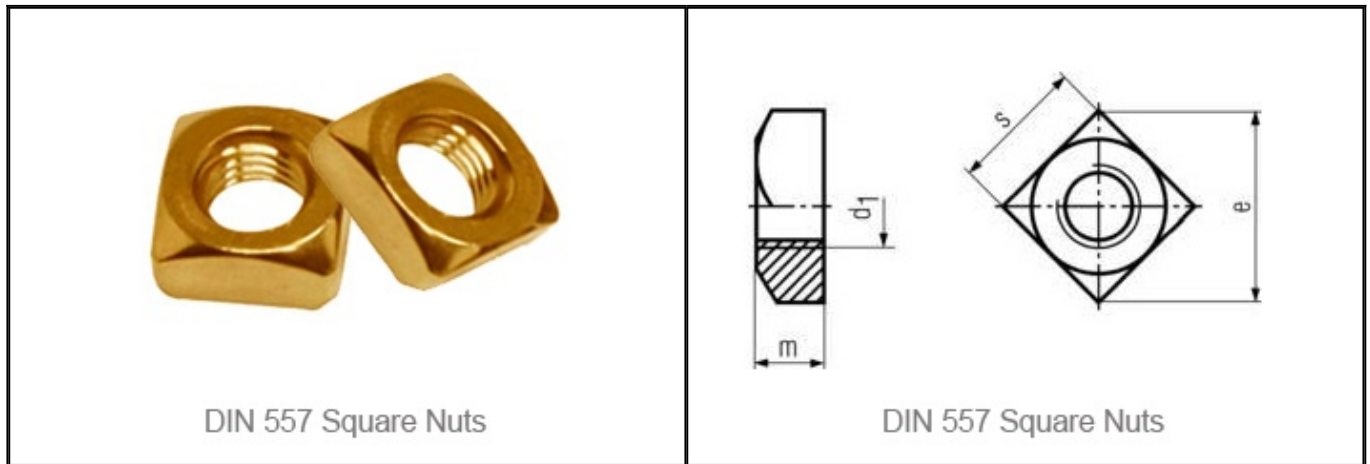


DIN 557 Square nuts

DIN 557 Square Nuts



DIN 557 Square Nuts Brass DIN 557 Square Nuts

We manufacture from India DIN 557 Square Nuts Brass DIN 557 Square Nut machined and cold forged from Brass bars/wires. We also offer hex nuts and lock nuts.

d1	s	e	m
M5	8	11.3	4
M6	10	14.1	5
M8	13	18.4	6.5
M10	16	22.6	8
M12	18	25.4	10
M16	24	33.9	13

Material: CW614N CZ 121 Brass rods, CDA 360 brass

Threads: metric M3 M4 M5 M6 M8 M10 M12

Finish: Nickel plated, Self colour, Tin plated for all square nuts to DIN 557

ADDEESS:

Conex Brass Screws Fasteners

Plot 10 B GIDC IND Estate Jamnagar 361004 INDIA

CONTACTS:

PHONE : 91-22-43449300 / 43449327

FAX : 91-22-22834046 / 40023682

EMAIL : sales@conexscrews.com

[CONTACT US](#) | [BACK TO HOME PAGE](#)

KEYWORDS:

DIn 557 nuts, DIn 557 Square nuts, Brass Square Nuts, Brass DIn 557 Square nuts, Nickel plated Square nuts, metric Square nuts, M4 M5 M6 M8 M10 square nut, india manufacturers square nuts,