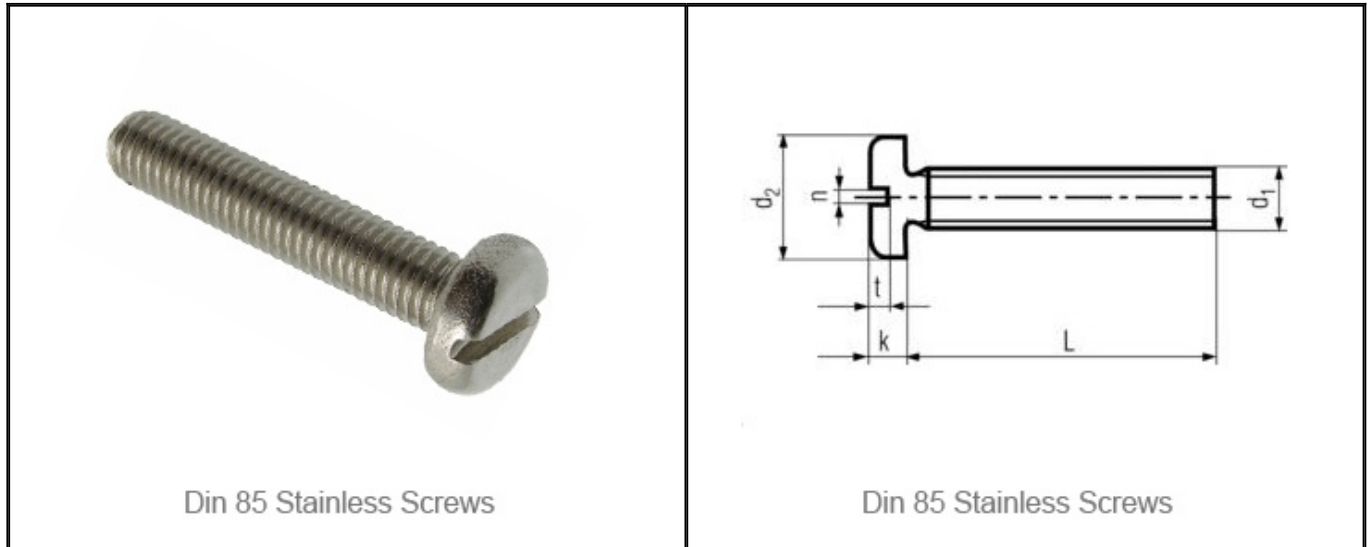


**Din 85 Stainless Screws**

**Din 85 Stainless Screws**



STAINLESS STEEL PAN HEAD SCREWS DIN 85 PAN HEAD SCRWE SLOTTED PAN HEAD METRIC SCREWS

We are manufacturers of cold forged Stainless Steel screws and fasteners

Diameter d1	M2	M2.5	M3	M4	M5	M6	M8
t	0.5	0.6	0.7	1	1.2	1.5	1.9
n	0.6	0.6	0.8	1	1.2	1.6	2
k	1.2	1.5	1.8	2.4	3	3.6	4.8
d2	4	5	6	8	10	12	16

**ADDEESS:**

**Conex Brass Screws Fasteners**  
Plot 10 B GIDC IND Estate Jamnagar 361004 INDIA

**CONTACTS:**

PHONE : 91-22-43449300 / 43449327  
FAX : 91-22-22834046 / 40023682  
EMAIL : [sales@conexscrews.com](mailto:sales@conexscrews.com)

**[CONTACT US](#) | [BACK TO HOME PAGE](#)**

**KEYWORDS:**

**Din 85 Stainless Steel screws, 316 Stainless Steel pan head screws, Slotted Pan head 304 screws, 304 316 Stainless Steel machine screws, Cold forged Screws , Stainless Steel fasteners, Threaded metric screws, DIN 85 screws manufacturers,**