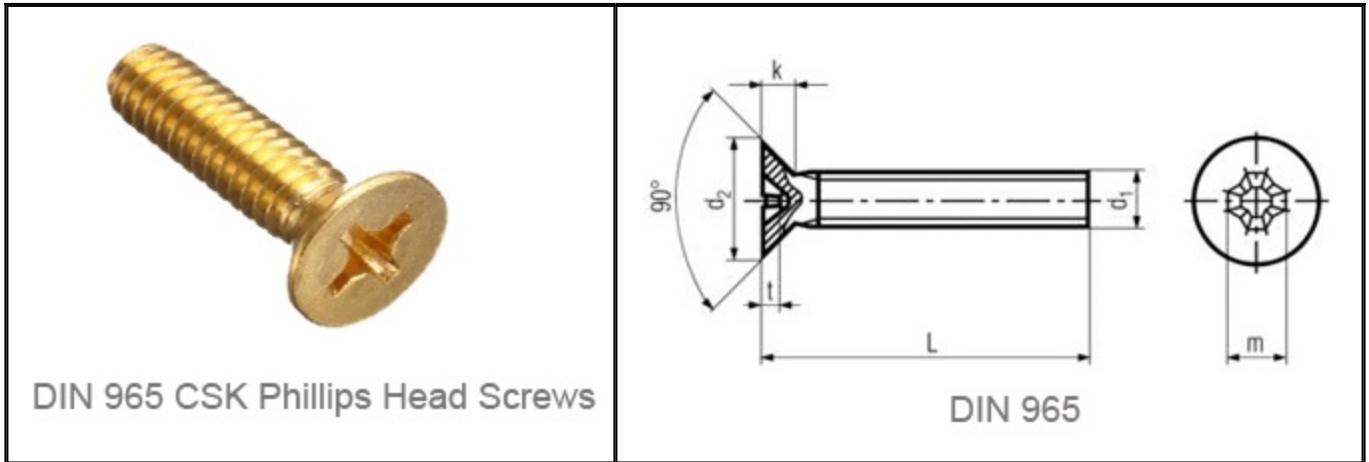


DIN 965 CSK Phillips head screws

DIN 965 CSK Phillips Head Screws



DIN 965 BRASS CSK PHILLIPS HEAD SCREWS BRASS FLAT HEAD DIN 965 SCREWS CROSS RECESSED HEAD COUNTERSUNK HEAD MACHINE SCREWS Brass Phillips head screws

Diameter d1	M2	M2.5	M3	M4	M5	M6	M8
a	—	0.9	1	1.4	1.6	2	2.5
k max	1.2	1.5	1.65	2.2	2.5	3	4
d2 max	3.8	4.7	5.6	7.5	9.2	11	14.5
Driver Size	H1	H1	H1	H2	H2	H3	H4

ADDEESS:

Conex Brass Screws Fasteners

Plot 10 B GIDC IND Estate Jamnagar 361004 INDIA

CONTACTS:

PHONE : 91-22-43449300 / 43449327

FAX : 91-22-22834046 / 40023682

EMAIL : sales@conexscrews.com

[CONTACT US](#) | [BACK TO HOME PAGE](#)

KEYWORDS:

DIN 965 Screws, Brass Phillips head screws ,BRASS CSK PHILLIPS HEAD SCREWS ,BRASS FLAT HEAD DIN 965 SCREWS ,CROSS RECESSED Brass screws,