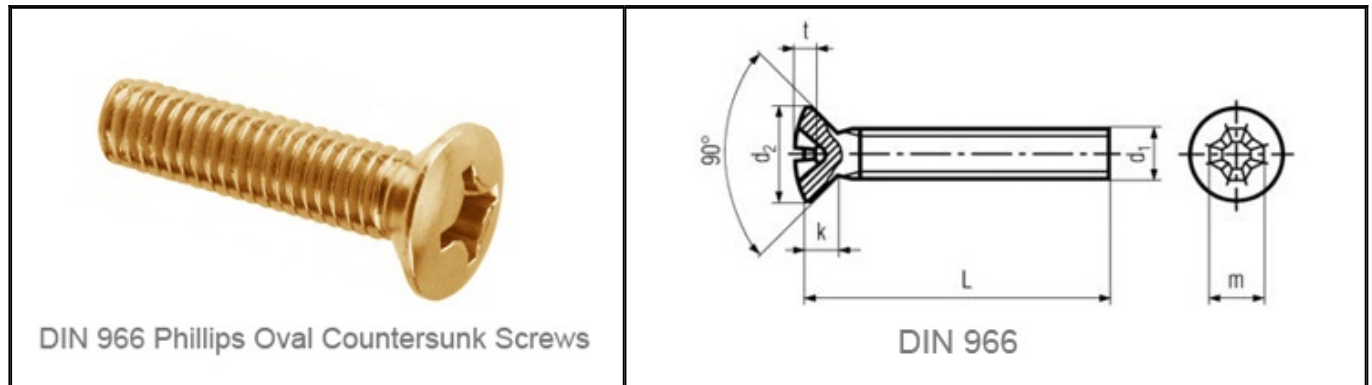


DIN 966 Phillips Oval Countersunk screws

DIN 966 Phillips Oval Countersunk Screws



We are one of the leading manufacturers of DIN 966 Brass Screws Din 966 Raised Countersunk Oval head Phillips Cross recessed head machine screws CSK screws. These Brass Phillips head screws are made by cold forging / cold heading on our high speed automatic machines. Our metric machine screws CSK Screws Brass countersunk head screws are exported worldwide.

Diameter d1	M2	M2.5	M3	M4	M5	M6	M8
a	—	0.9	1	1.4	1.6	2	2.5
f	0.5	0.6	0.75	1	1.25	1.5	2
k max	1.2	1.5	1.65	2.2	2.5	3	4
d2 max	3.8	4.7	5.6	7.5	9.2	11	14.5

Finish: Nickel plated Brass screws, Tin, Natural

Material: Brass, Stainless Steel 304 316

ADDEESS:

Conex Brass Screws Fasteners

Plot 10 B GIDC IND Estate Jamnagar 361004 INDIA

CONTACTS:

PHONE : 91-22-43449300 / 43449327

FAX : 91-22-22834046 / 40023682

EMAIL : sales@conexscrews.com

[CONTACT US](#) | [BACK TO HOME PAGE](#)

KEYWORDS:

DIN 966 screws, machine screws Din 966, Brass Screws Din 966 ,Raised Countersunk head screws, Oval head Phillips head Brass screws, Cross recessed head machine screws, Brass countersunk head screws,CSK screws, Brass phillips head screws, Nickel plated brass screws,Stainless Steel DIN 966 screws