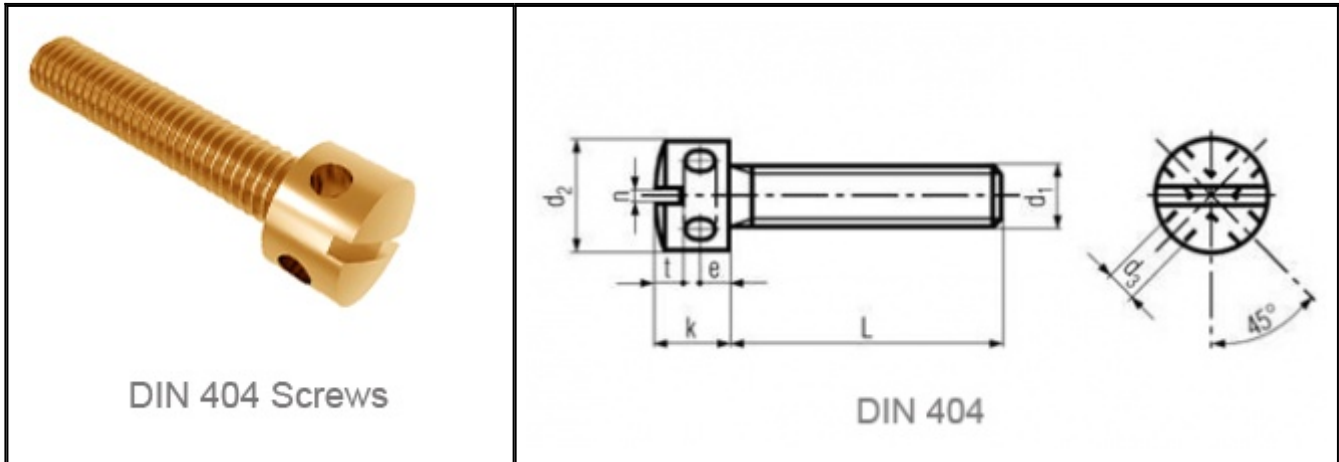


DIN 404 Screws

DIN 404 Screws



We are manufacturers of DIN 404 Screws Brass DIN 404 screws in metric threads with or without Nickel plating. We also offer Stainless Steel DIN 404 Slotted Capstain screws Slotted phillister head screws. DIN 404 slotted drilled screws are exported to Europe and around the globe.

| d1 | d2 | d3 | k | n | t min. | e |
|----|-----|-----|-----|-----|--------|-----|
| M3 | 5.5 | 1.5 | 4 | 0.8 | 1 | 1.5 |
| M4 | 7 | 2 | 5 | 1 | 1.4 | 2 |
| M5 | 8.5 | 2.5 | 6.5 | 1.2 | 1.7 | 2.5 |
| M6 | 10 | 3 | 8 | 1.6 | 2.2 | 3 |

ADDEESS:

Conex Brass Screws Fasteners

Plot 10 B GIDC IND Estate Jamnagar 361004 INDIA

CONTACTS:

PHONE : 91-22-43449300 / 43449327

FAX : 91-22-22834046 / 40023682

EMAIL : sales@conexscrews.com

[CONTACT US](#) | [BACK TO HOME PAGE](#)

KEYWORDS: