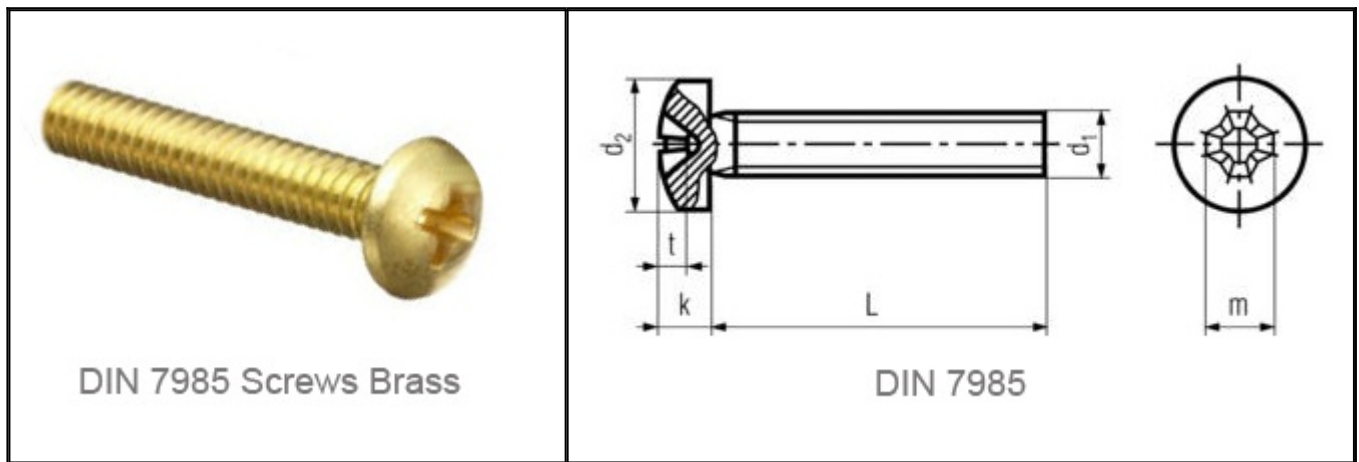


DIN 7985 Screws Brass

DIN 7985 Screws Brass



DIN 7985 Screws Brass Pan Phillips head Screws Metric Screws Cold forged Brass Pan head Cross recessed head machine screws. We have high speed cold heading machines where we produce Brass DIN 7985 Phillips head machine screws. We also have our own Brass wire drawing and extrusion plant which makes us highly cost effective.

Diameter d1	M2	M2.5	M3	M3.5	M4	M5	M6	M8	M10
m ≈	2.5	2.7	3.1	4.2	4.6	5.3	6.8	9	10.2
a max.	—	—	1	—	1.4	1.6	2	2.5	—
v ≈	1.1	1.3	1.6	1.9	2	2.5	3	3.7	4.8
k	1.6	2	2.4	2.7	3.1	3.8	4.6	6	7.5
d2 max.	4	5	6	7	8	10	12	16	20

Finish: Brass natural or nickel plated

ADDRESS:

Conex Brass Screws Fasteners

Plot 10 B GIDC IND Estate Jamnagar 361004 INDIA

CONTACTS:

PHONE : 91-22-43449300 / 43449327

FAX : 91-22-22834046 / 40023682

EMAIL : sales@conexscrews.com

CONTACT US | [BACK TO HOME PAGE](#)

KEYWORDS: