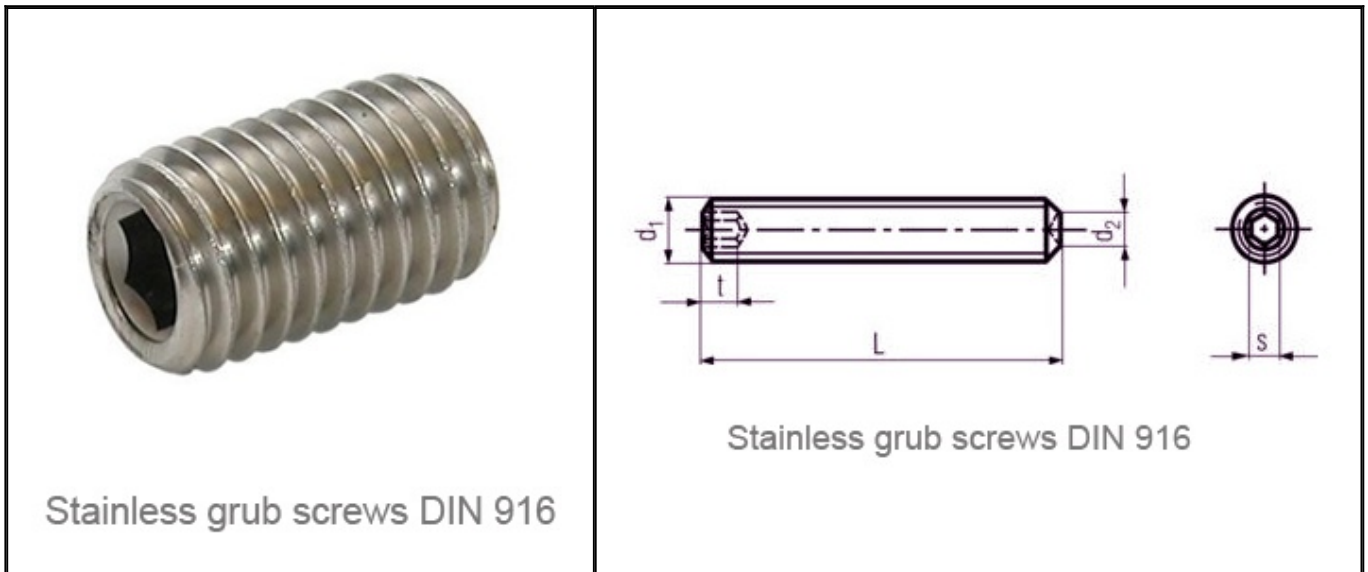


Stainless grub screws DIN 916

Stainless Grub Screws DIN 916



STAINLESS STEEL GRUB SCREWS SOCKET SET SCREWS BRASS STAINLESS STEEL CUP POINT GRUB SCREWS

DIN 916 Screws ISO 4029 grub Screws Socket Screws

Diameter d1	M2	M2.5	M3	M4	M5	M6	M8	M10	M12	M14	M16	M20	M24
d2 max.	1	1.2	1.4	2	2.5	3	5	6	8	9	10	14	16
t min.	0.8	1.2	1.2	1.5	2	2	3	4	4.8	5.6	6.4	8	10
e	1.003	1.427	1.73	2.3	2.87	3.44	4.58	5.72	6.86	6.86	9.15	11.43	13.72
s	0.9	1.3	1.5	2	2.5	3	4	5	6	6	8	10	12
Proof Torque min. (NM)	—	—	0.9	2.5	5.0	8.5	20	40	65	65	160	310	—

Material: Stainless Steel 304 316 Brass CDA 360

ADDEESS:

Conex Brass Screws Fasteners
Plot 10 B GIDC IND Estate Jamnagar 361004 INDIA

CONTACTS:

PHONE : 91-22-43449300 / 43449327
FAX : 91-22-22834046 / 40023682
EMAIL : sales@conexscrews.com

[CONTACT US](#) | [BACK TO HOME PAGE](#)

KEYWORDS: